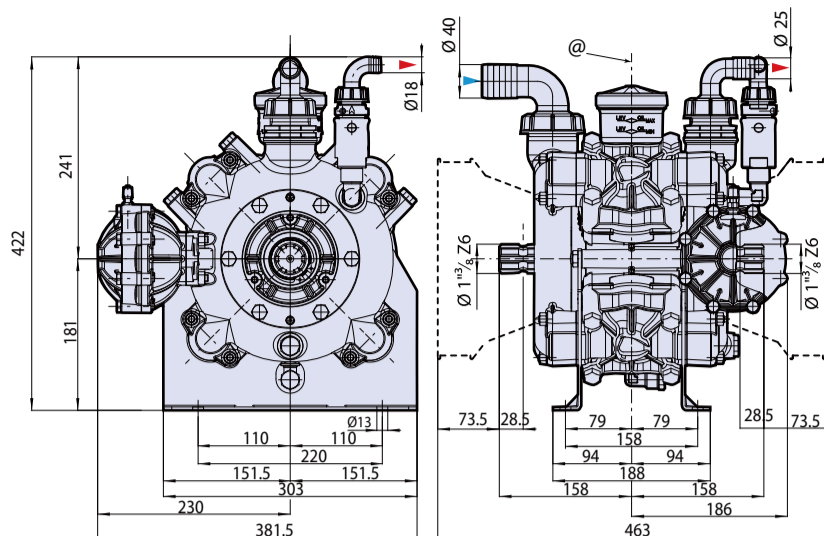
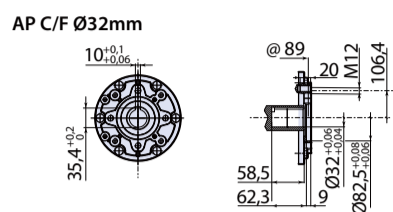
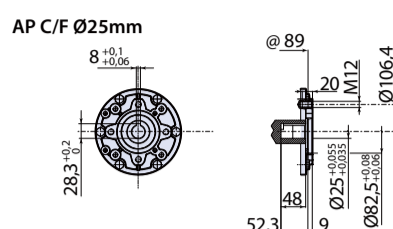
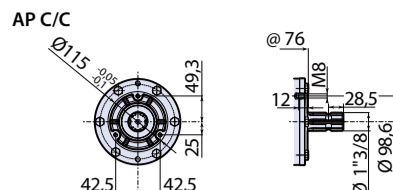




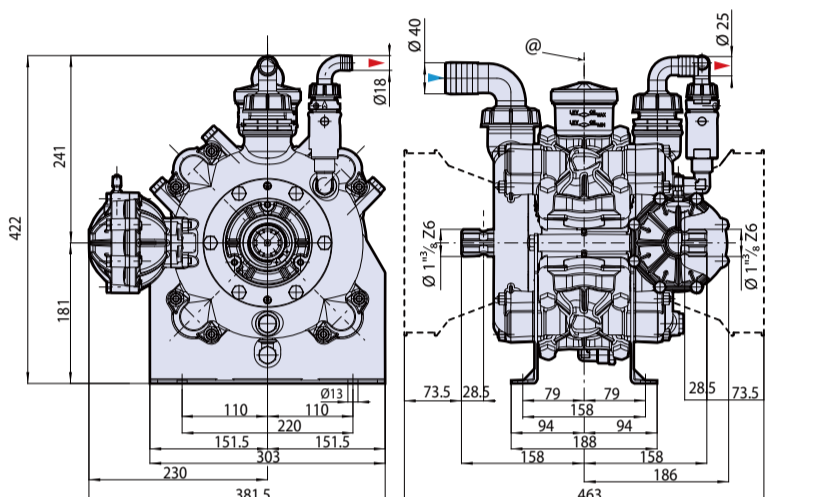
# AR 160 BP



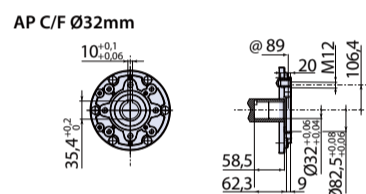
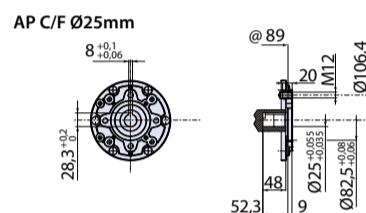
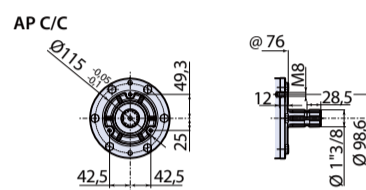
@ = Pump axis - 泵中心线



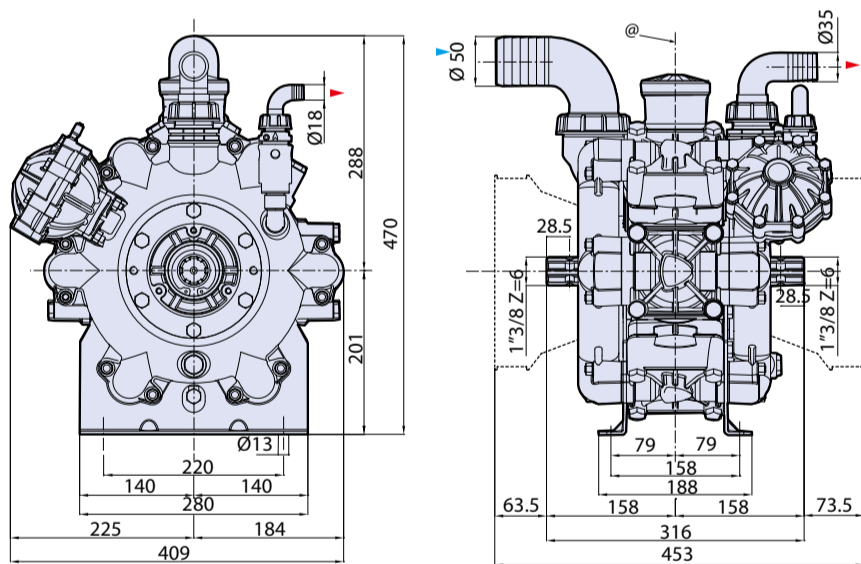
# AR 185 BP



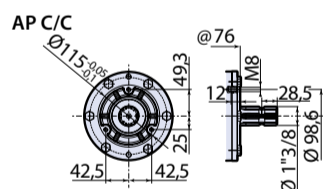
@ = Pump axis - 泵中心线



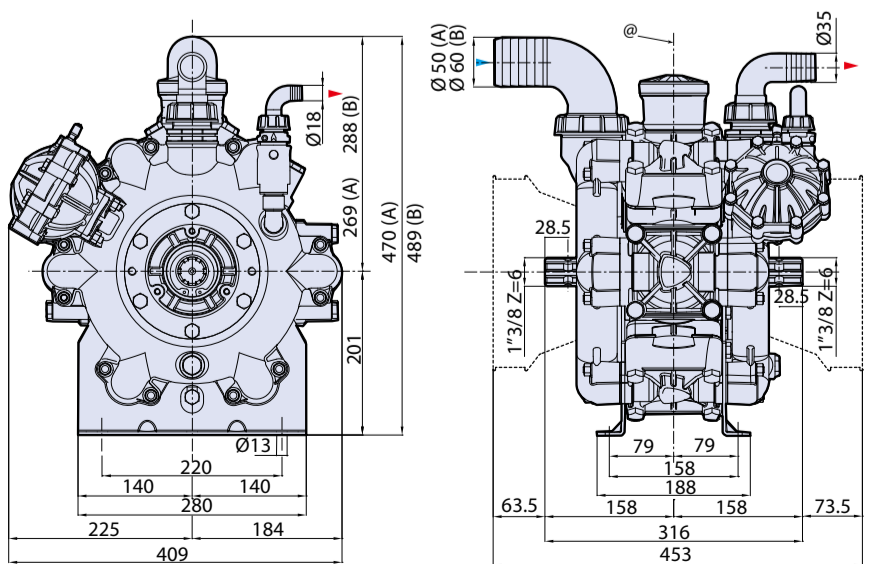
# AR 215 BP



@ = Pump axis - 泵中心线



# AR 250 BP - AR 280 BP



@ = Pump axis - 泵中心线

(A) = AR 250 bp  
(B) = AR 280 bp

